

data sheet

IMAGELINE PLATE

ILP 68 LS/OL for

EskoGraphics

PlateDrive 4



Colenta[®]

ONLINE

for AGFA SilverLithoStar CTP - Printing Plates
IMAGELINE PLATE - TYPE ILP 68 LS/OL

12/2003 AN

Colenta

Imageline Plate[®]

ILP 68 LS/OL

Technical Specifications:

Processing applications: AL-CTP AGFA SilverLithoStar
Plate width: max. 68 cm (27 inch)

Microprocessor Control: with 4 preprogrammable processing cycles and 1 overnight program (SLEEPMODE)
Transport Speed at 20 sec DEV-Time: 170cm/min - 67 inch/min
(Time in Dev. plus Diffusion Time 20sec): preprogrammable 16 to 80 sec.
 (recommended by AGFA 35sec/100cm/min)

	Tankcapacity	Temperature*	Repl. Rate*
Developer :	12 lt	15 - 45°C	40-2000ml/m ²
Wash :	11 lt	18 - 55°C	40-2000ml/m ²
Rinse :	5 lt	18 - 55°C	
Finisher :	5,5 lt	18 - 55°C	40-2000ml/m ²
Dryer :	-	18 - 60°C	

Replenishment:
 - controlled by six-sensors, measuring plate area
 - activated after 0,1 - 0,999m² * plate area fed into the processor
 - antioxidation/standby replenishment, activated after 0-9 hours *

**Anticrystallisation/
Selfcleaning Cycle
during Standby:**
 - activated : each 1 - 20 min *
 - cycle time : duration 1 - 3 min *

Delayed Start of Transport : 0 - 10 sec *
Filter Replacement Programming: 0 - 9999 m² *

Selectable Processing Modes:

Automatic: Processor goes to a standby „ready“ condition when a process cycle is completed.
Manual: all functions operated manually
Rewash: activated when the rewash feed slot is opened
Service Using the Repl.Pumps to fill the processor tanks after cleaning.
Monitor Used to view and check processor functions.

.....* all values preprogrammable

Control: **Activate and Monitoring features inform, warn and alert the operator to an error in the system.**

Solution Levels:
 -Low Level monitoring in Dev-, Wash-, Rinse- and Finisher Tank of processor **
 -Automatic Fill Up of above Levels when processor is switched on
 -High Level monitoring in Overflow Collection Tank (waste management) **
 -Low Level in Repl. Tanks for Wash and Finisher **

Temperatures: High / Low level monitoring of the Dev, Wash, Rinse, Finisher and dryer temperatures.

ILP 68 LS/OL for EskoGraphics PlateDrive 4

Water and Energy saving: Both the Wash and dryer systems activate only when required.

Work in Progress : Details the position of the plates through the processor.

Transport:

- drive motor overload monitoring **
- plate in/plate out check facility **
- security cover lid switch **
- rewash cover lid switch **

**** when activated will operate an audible warning and a message alert to confirm the error type.**

Additional Accessories and Features:

- Inbuilt Chiller unit
- A drawer unit within the main frame to house the replenishment and waste collection tanks.
- Split processor frame, allowing easy access through a standard door opening of 70cm (28inch)

		ILP 68 LS/OL	
Weight	Empty	350	kg
	With solution	385	kg

Technical specification subject to change without notice.

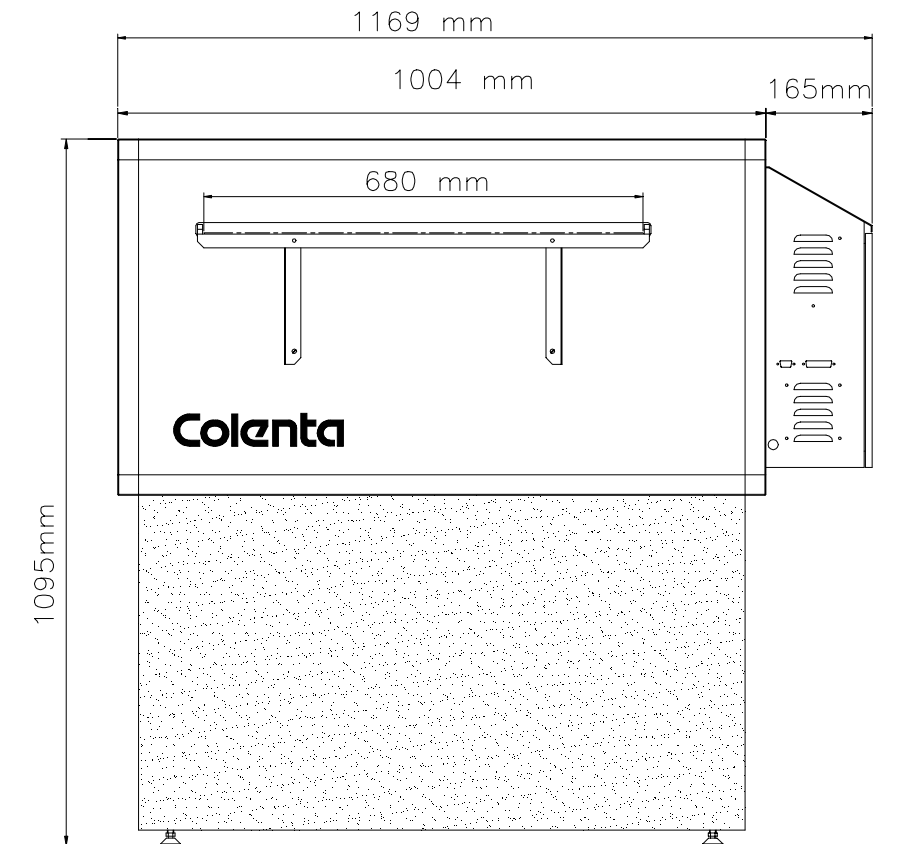
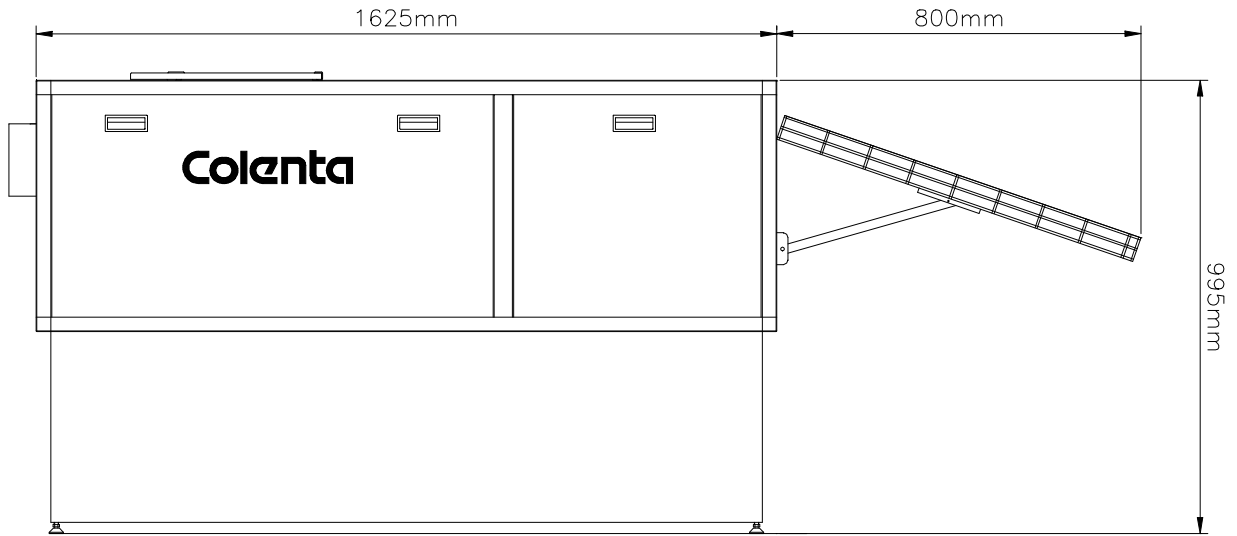
Details for shipment:

ILP 68 LS/OL

packing dimensions:	1 carton box on palette
packing volume:	180cm x 123cm x 143cm (L x W x H)
weight with packing:	3,16 m³
	420 kg

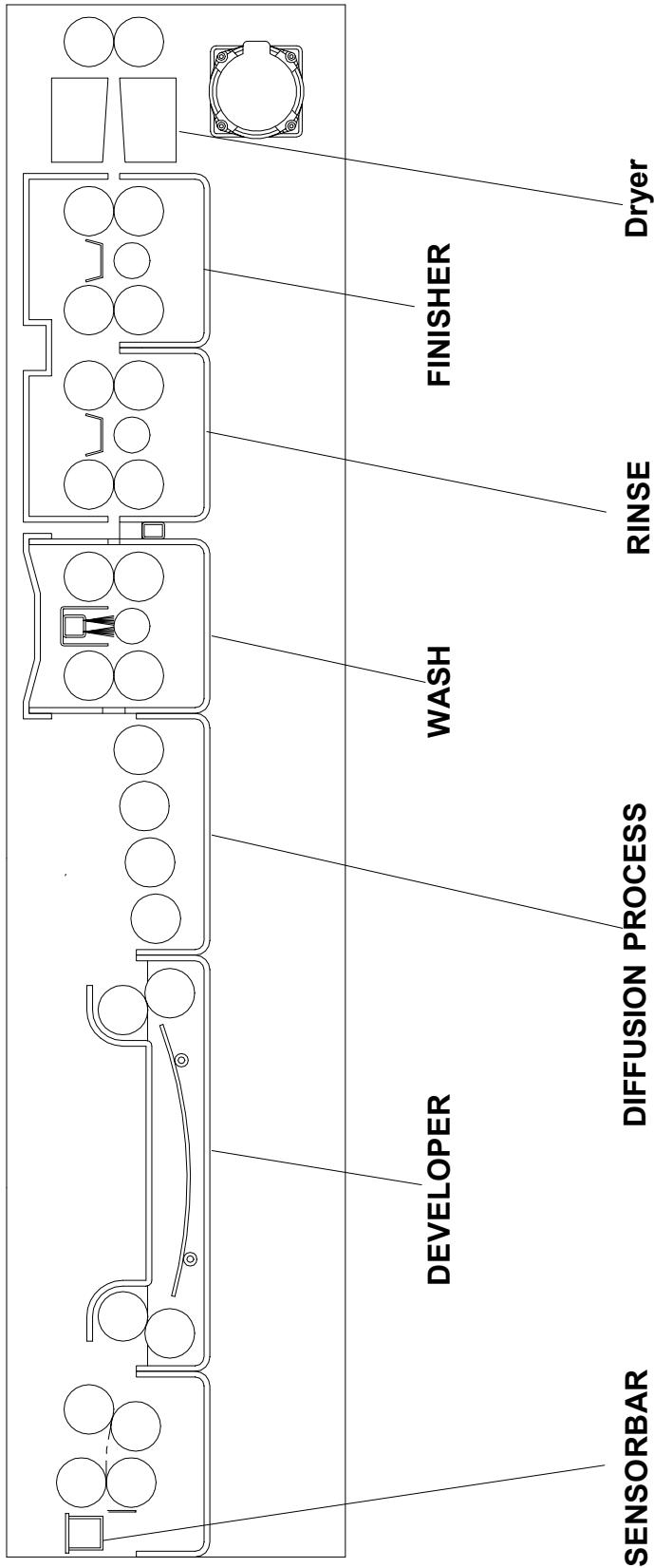
DIMENSIONEN

ILP 68 LS/OL



Transportsystem:

ILP 68 LS/OL



Electrical supply: (Standard, when 3N~400/230V, 50/60 Hz supply available)

ILP 68 LS/OL

**6 KW
13 A**

ATTENTION:
PROCESSOR TO BE CONNECTED TO
SUPPLY NET: 3N~380/220V 50/60Hz

In case the above voltages are not available at site, please contact your local dealer or the factory for rewiring advice.

alternatives, to be indicated when ordering

ATTENTION:
PROCESSOR TO BE CONNECTED TO
SUPPLY NET: 3~220V 50/60Hz

In case the above voltages are not available at site, please contact your local dealer or the factory for rewiring advice.

ILP 68 LS/OL
3 x 230V, 6 KW
20A

ATTENTION:
PROCESSOR TO BE CONNECTED TO
SUPPLY NET: 230V50/60Hz

In case the above voltages are not available at site, please contact your local dealer or the factory for rewiring advice.

ILP 68 LS/OL
Single Phase
230V, 6 KW
32A