

# data sheet

## IMAGELINE PLATE

### ILP 68 LS/OL for

### Dainippon Screen

### PF-R 3051Vi - MICRA



**ONLINE**

**Colenta**<sup>®</sup>

for AGFA SilverLithoStar CTP - Printing Plates  
IMAGELINE PLATE - TYPE ILP 68 LS/OL



02/2002 AN

# Colenta

# Imageline Plate<sup>®</sup>

## ILP 68 LS/OL

### Technical Specifications:

**Processing applications:** AL-CTP AGFA SilverLithoStar  
**Plate width:** max. 68 cm (27 inch)

**Microprocessor Control:** with 4 preprogrammable processing cycles and 1 overnight program (SLEEPMODE)

**Transport Speed at 20 sec DEV-Time:** 170cm/min - 67 inch/min  
**(Time in Dev. plus Diffusion Time 20sec:)** preprogrammable 16 to 80 sec.  
 (recommended by AGFA 35sec/100cm/min)

	Tankcapacity	Temperature*	Repl. Rate*
<b>Developer :</b>	12 lt	15 - 45°C	40-2000ml/m <sup>2</sup>
<b>Wash :</b>	11 lt	18 - 55°C	40-2000ml/m <sup>2</sup>
<b>Rinse :</b>	5 lt	18 - 55°C	
<b>Finisher :</b>	5,5 lt	18 - 55°C	40-2000ml/m <sup>2</sup>
<b>Dryer :</b>	-	18 - 60°C	

**Replenishment:**

- controlled by six-sensors, measuring plate area
- activated after 0,1 - 0,999m<sup>2</sup> \* plate area fed into the processor
- antioxidation/standby replenishment, activated after 0-9 hours \*

**Anticrystallisation/  
Selfcleaning Cycle  
during Standby:**

- activated : each 1 - 20 min \*
- cycle time : duration 1 - 3 min \*

**Delayed Start of Transport :** 0 - 10 sec \*  
**Filter Replacement Programming:** 0 - 9999 m<sup>2</sup> \*

### Selectable Processing Modes:

**Automatic:** Processor goes to a standby „ready“ condition when a process cycle is completed.  
**Manual:** all functions operated manually  
**Rewash:** activated when the rewash feed slot is opened  
**Service** Using the Repl.Pumps to fill the processor tanks after cleaning.  
**Monitor** Used to view and check processor functions.

.....\* all values preprogrammable

**Control:** **Activate and Monitoring features inform, warn and alert the operator to an error in the system.**

**Solution Levels:**

- Low Level monitoring in Dev-, Wash-, Rinse- and Finisher Tank of processor \*\*
- Automatic Fill Up of above Levels when processor is switched on
- High Level monitoring in Overflow Collection Tank (waste management) \*\*
- Low Level in Repl. Tanks for Wash and Finisher \*\*

**Temperatures:** High / Low level monitoring of the Dev,Wash,Rinse, Finisher and dryer temperatures.

## ILP 68 LS/OL für Dainippon Screen MICRA

**Water and Energy saving:** Both the Wash and dryer systems activate only when required.

**Work in Progress :** Details the position of the plates through the processor.

**Transport:**

- drive motor overload monitoring \*\*
- plate in/plate out check facility \*\*
- security cover lid switch \*\*
- rewash cover lid switch \*\*

**\*\* when activated will operate an audible warning and a message alert to confirm the error type.**

### Additional Accessories and Features:

- Inbuilt Chiller unit
- A drawer unit within the main frame to house the replenishment and waste collection tanks.
- Split processor frame, allowing easy access through a standard door opening of 70cm (28inch)

		ILP 68 LS/OL	
Weight	Empty	350	kg
	With solution	385	kg

Technical specification subject to change without notice.

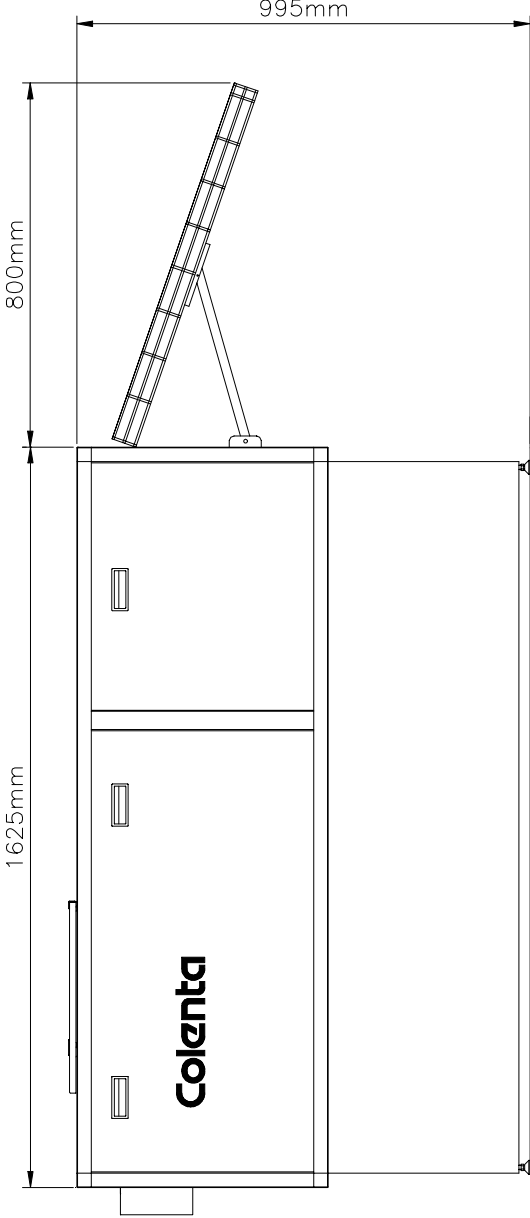
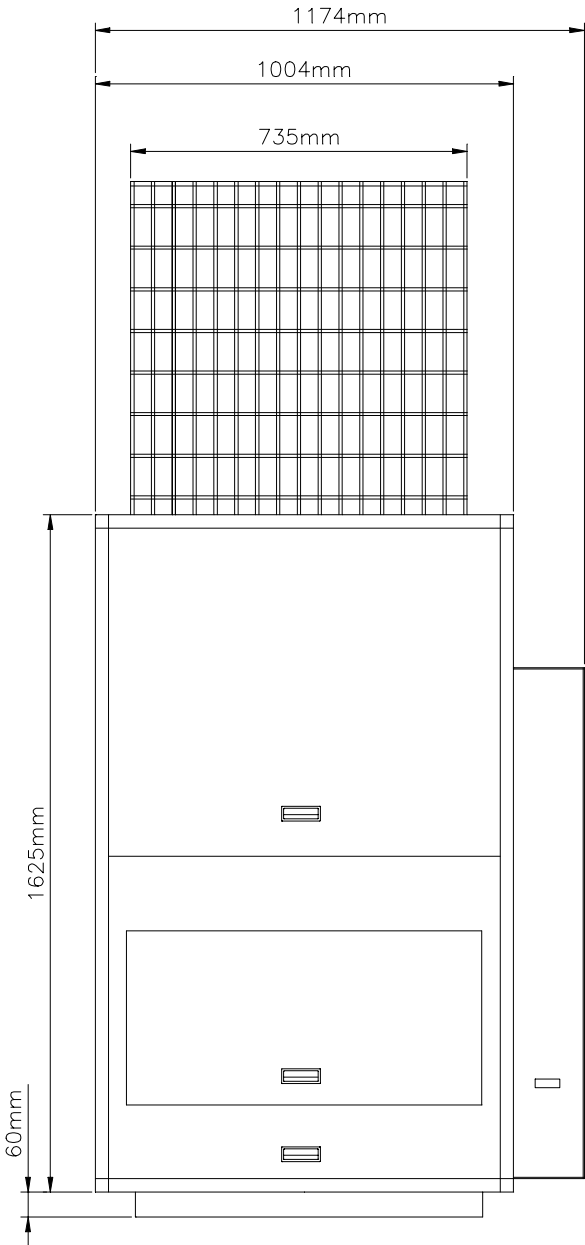
## Details for shipment:

**ILP 68 LS/OL**

<b>packing dimensions:</b>	<b>1 carton box on palette</b>
<b>packing volume:</b>	<b>180cm x 123cm x 143cm (L x W x H)</b>
<b>weight with packing:</b>	<b>3,16 m<sup>3</sup></b>
	<b>420 kg</b>

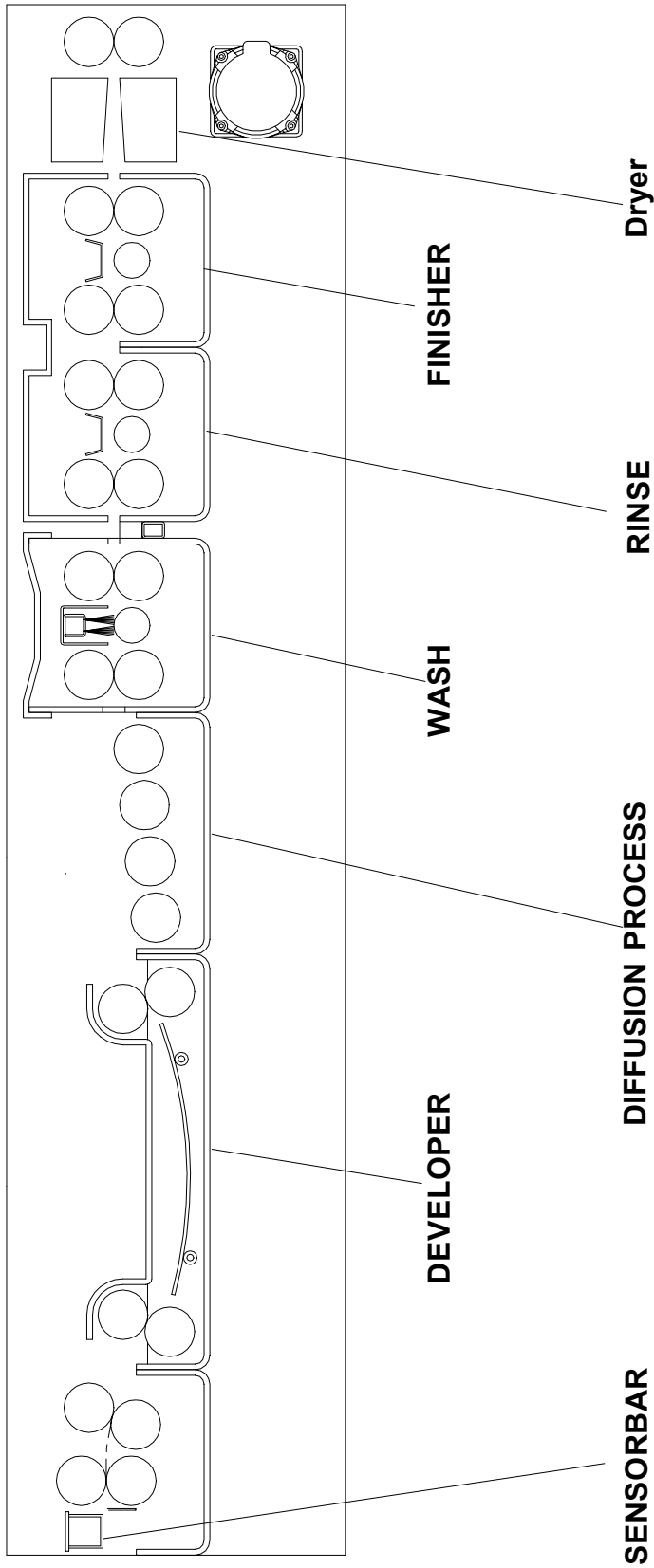
# DIMENSIONEN

**ILP 68 LS/OL**



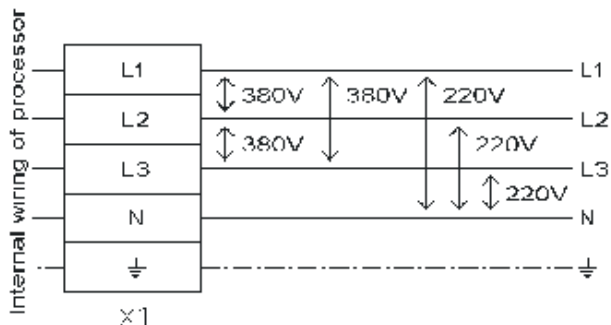
# Transportsystem:

**ILP 68 LS/OL**



# Electrical supply: (Standard, when 3N~400/230V, 50/60 Hz supply available)

**ATTENTION:**  
 PROCESSOR TO BE CONNECTED TO  
 SUPPLY NET: 3N~380/220V 50/60Hz



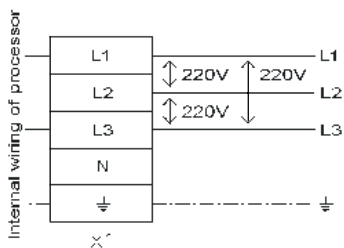
In case the above voltages are not available at site, please contact your local dealer or the factory for rewiring advice.

**ILP 68 LS/OL**

**6 KW  
 13 A**

alternatives, to be indicated when ordering

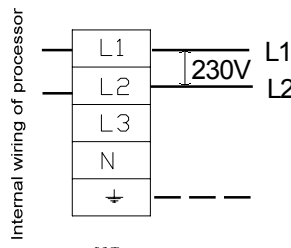
**ATTENTION:**  
 PROCESSOR TO BE CONNECTED TO  
 SUPPLY NET: 3~220V 50/60Hz



In case the above voltages are not available at site, please contact your local dealer or the factory for rewiring advice.

**ILP 68 LS/OL  
 3 x 230V, 6 KW  
 20A**

**ATTENTION:**  
 PROCESSOR TO BE CONNECTED TO  
 SUPPLY NET: 230V50/60Hz



In case the above voltages are not available at site, please contact your local dealer or the factory for rewiring advice.

**ILP 68 LS/OL  
 Single Phase  
 230V, 6 KW  
 32A**